

- Back**
- PushPull Power
 - Flat Cable Connectors SEK
 - *har-mik®*
 - D-Sub
 - InduCom

- **Applications**

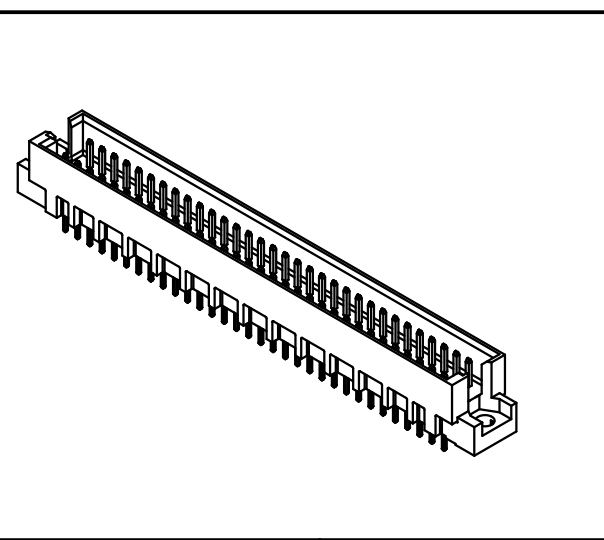
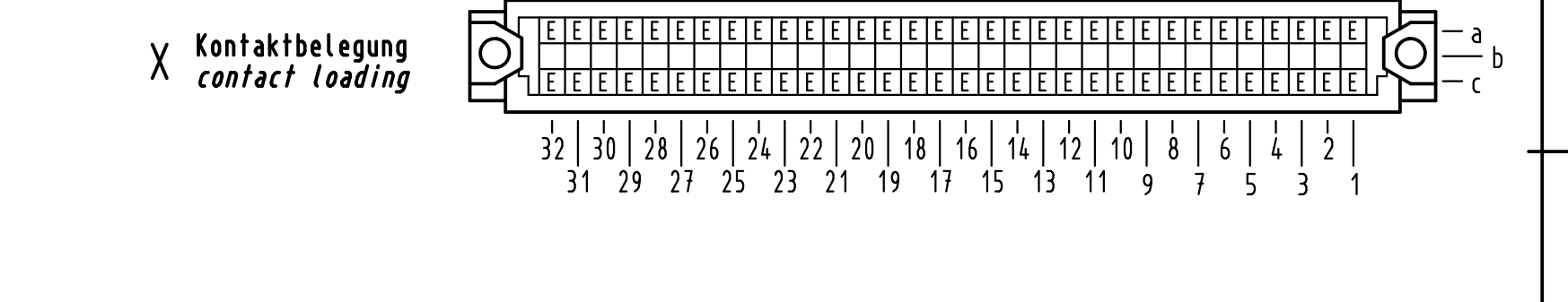
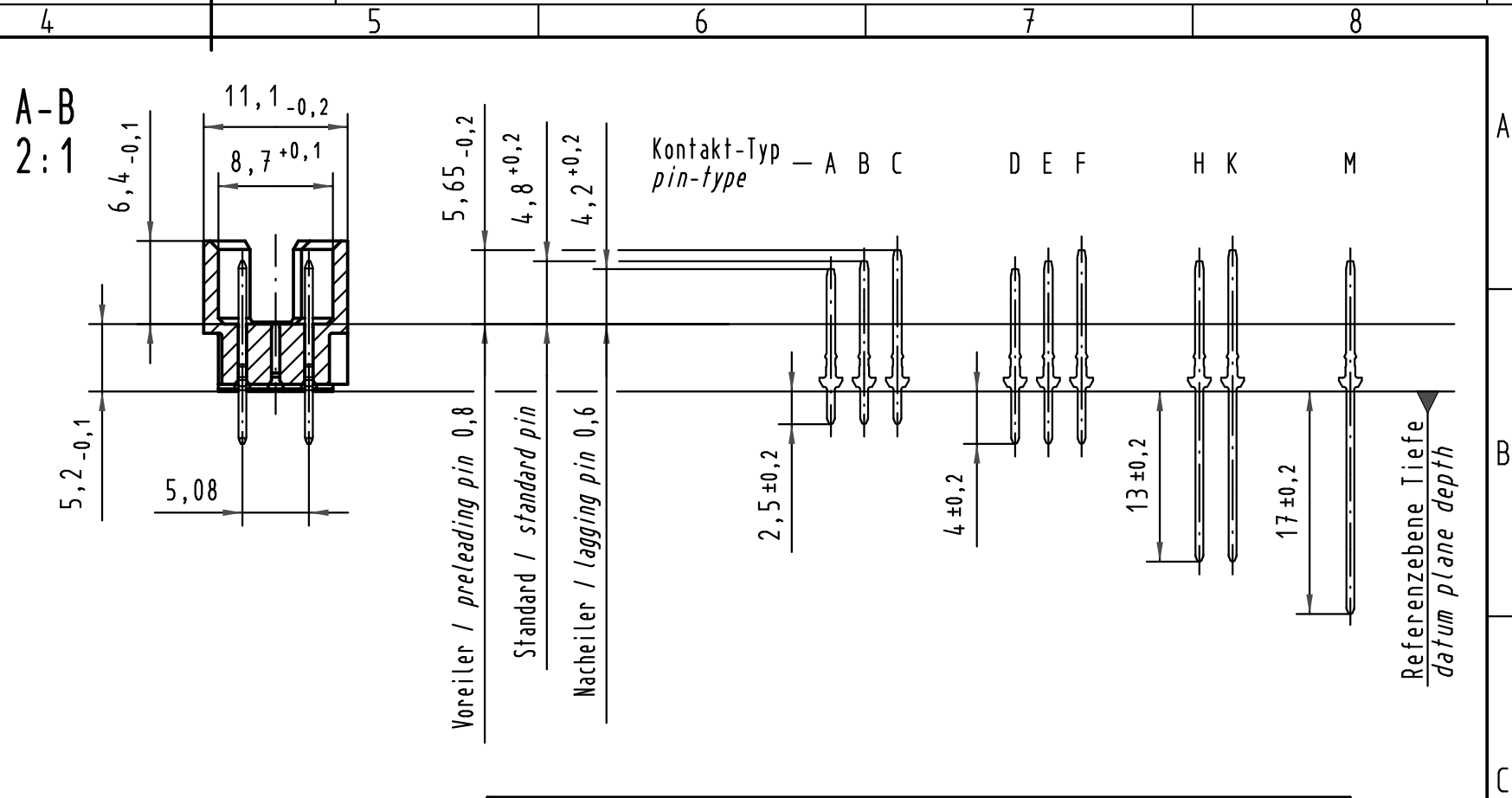
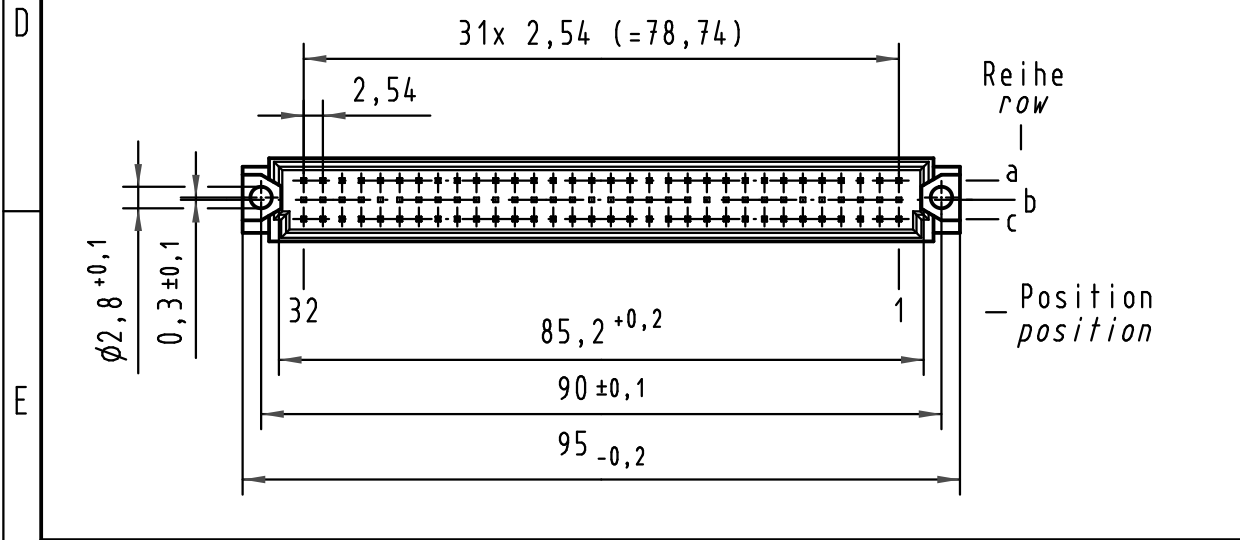
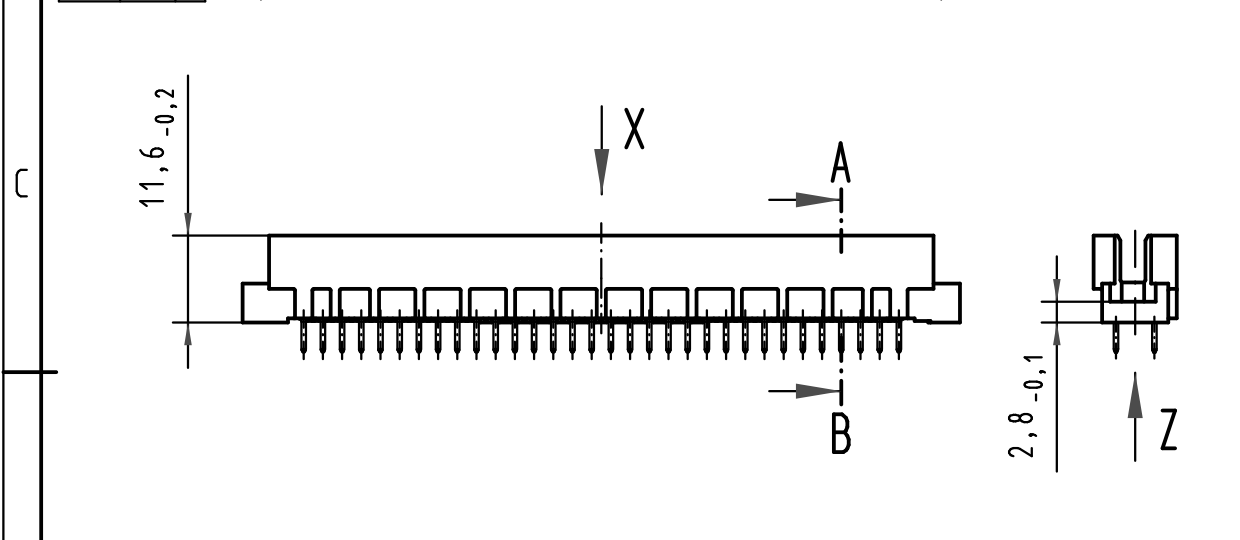
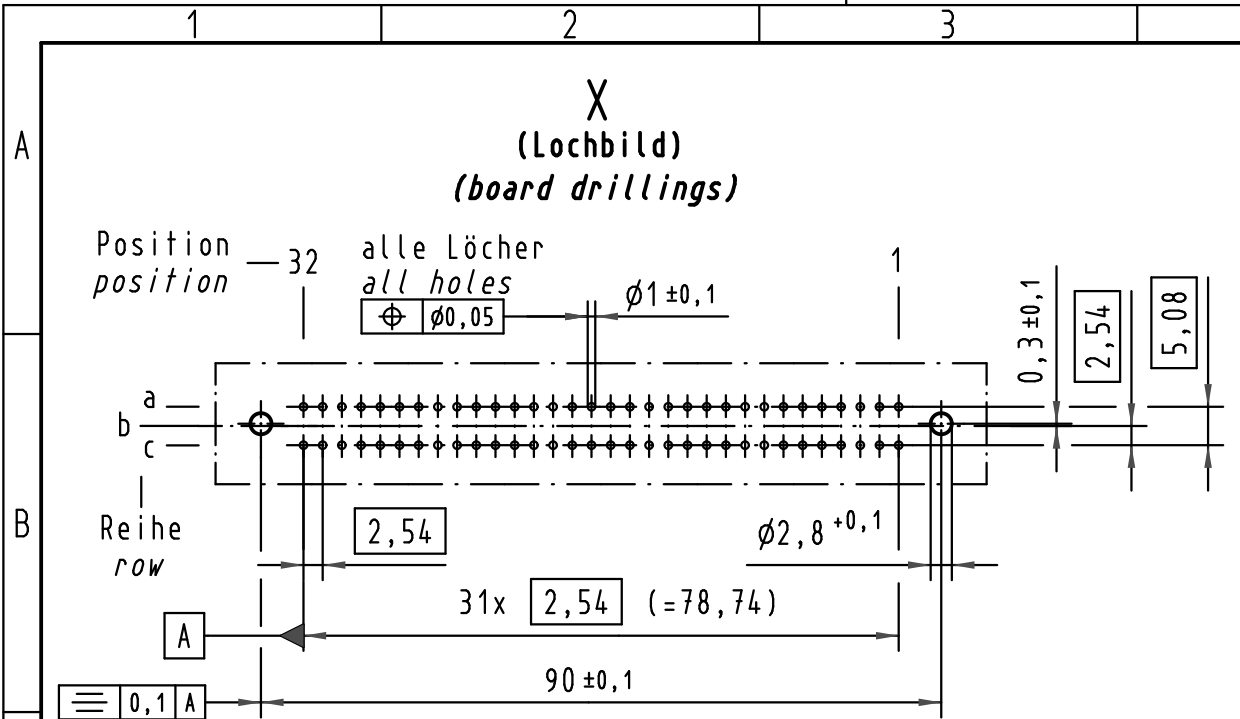
Product details

09 73 164 6903 Backplane connector

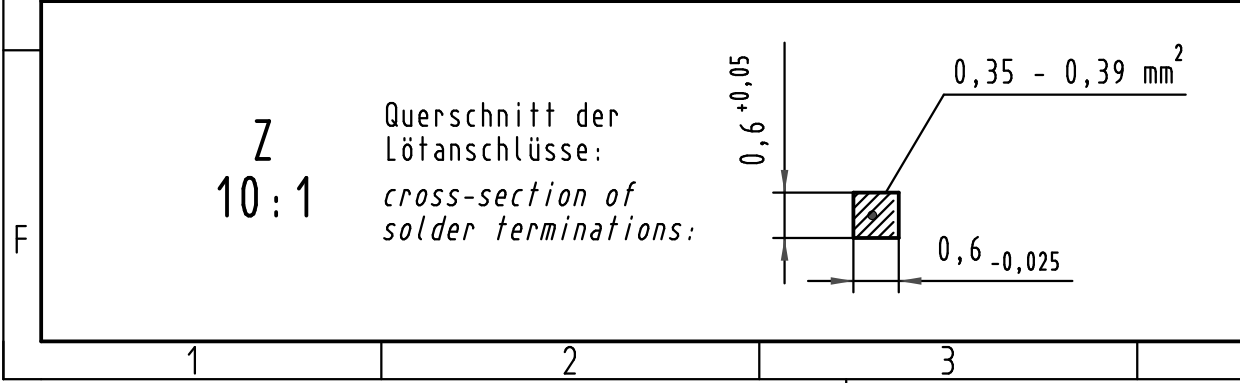
Type	Type R
Standard/Inverse	Inverse
Contact gender	Male contacts
Size	Whole size
Number of contacts	64 poles
Contact arrangement	Rows a and c
Termination	Straight solder pins
Termination length	4.0 mm
First mating contact	without first mating contacts
Performance Class	Performance level 2 as per IEC 60603-2
Contacts	with contacts
Board fixing	Without fixing
Current	2 A max.
Clearance/ Creepage	1.2 / 1.2 mm min.
RoHS compliant	Yes

Inquiry

Alle Rechte vorbehalten/ All rights reserved



09 73 164 5903	-	min. 0,76 μm (30 μin) Au über/over min. 1,27 μm (50 μin) Ni
09 73 164 7903	3	Au über/over Ni
09 73 164 6903	2	Au über/over Ni
09 73 164 2903	1	Au über/over Ni
Bestell-Nr. part-no.	Anforderungsstufe nach IEC performance level acc. to IEC	Kontaktoberfläche contact plating



All Dimensions in mm Original Size DIN A 3		Techn. Character.		Nicht tolerierte Maßel Free size tolerances IEC 60603-2	
				Bauform R Messerleiste Einlöt 4,0 , 64pol. type R male connector solder 4,0 , 64pol.	
				TB 09 73 164 x903	
34650	07.09.07	Hage.			Blatt/ page
28737					
Mod.	Dat.	Name	HARTING Electronics GmbH & Co. KG D-32339 ESPELKAMP		Sub.